



Thomas SR 72-8

Precision. Power. Performance.

You want a trusted name when it comes to providing engineered power transmission products that improve productivity and efficiency. Rexnord provides superior products for your industrial applications world wide. We work closely with you to reduce maintenance costs, eliminate redundant inventories and prevent equipment downtime.

Applications include:

- ▶ paper mill drives
- ▶ printing machines

Thomas SR 72-8

The Rexnord Thomas SR 72-8 is a long span design using components from the SR 71-8. The simple three piece design allows for easy installation and repeatable balance, with improved bore capacity.



Ex II 2G T5

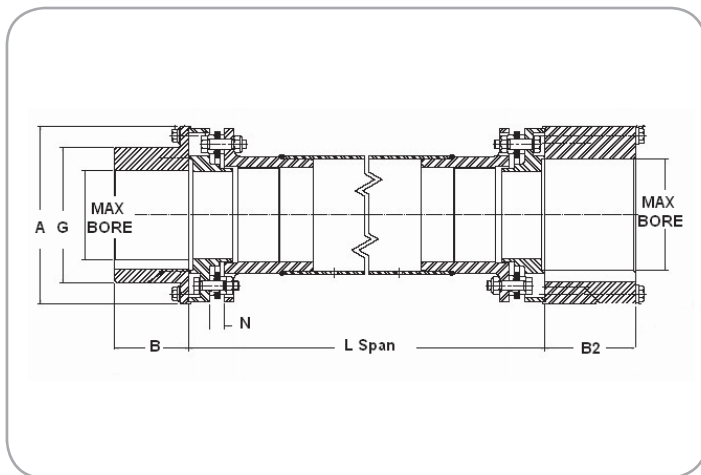
Thomas SR 72-8

Features

- ▶ Unitized and piloted center member
- ▶ Bolt on hubs
- ▶ Jacking bolt feature
- ▶ 4, 6 and 8 bolt design
- ▶ Axial slide hub option

Benefits

- ▶ Ease of installation
- ▶ Repeatable balance
- ▶ Oversize bore capacity
- ▶ Ease of installation
- ▶ Optimized for application
- ▶ Paper machine applications



Torque Demands Driven Machine	Typical Application for Electric Motor or Turbine Driven Equipment	Typical Service Factor
	Constant torque such as centrifugal pumps, blowers and compressors	1.0
	Continuous duty with some torque variations including plastic extruders and forced draft fans	1.5
	Light shock loads from metal extruders, cooling towers and log haulers	2.0
	Moderate shock loading as expected from a car dumper, stone crusher, vibrating screen	2.5
	Heavy shock load with some negative torques from reciprocating pumps, compressors, reversing turnout tables	3.0
	Frequent torque reversals such as reciprocating compressors with frequent torque reversals which do not necessarily include reverse rotations	Consult Rexnord Engineering

GENERAL DIMENSIONS (mm)

Coupling Size	Max. Continuous Torque (Nm)	Peak Overload Torque (Nm)	Axial Capacity (mm)	B & B1 Max. Bore (mm)	B2 Hub Max. Bore (mm)	A (mm)	B (mm)	B1 (mm)	B2 (mm)	Min. L Span (mm)	G (mm)
225	1 976	3 951	±0.91	80	106	152	63.5	79.2	77.7	244	116
262	3 184	6 367	±1.09	95	128	175	77.7	93.7	90.4	257	132
312	3 963	7 925	±1.29	112	145	203	90.4	109.5	104.6	298	160
350	7 552	15 105	±1.42	130	166	227	98.6	120.7	114.3	356	179
375	8 727	17 453	±1.57	144	185	252	112.8	134.9	131.1	391	202
425	15 161	30 323	±1.70	158	203	273	124.0	149.4	139.7	406	214
450	15 353	30 707	±1.82	170	214	294	128.5	157.2	152.4	457	236
500	26 236	52 472	±2.02	196	248	333	150.9	179.3	171.5	495	267
550	30 391	60 781	±2.33	215	consult	373	166.6	198.4	consult	568	292
600	30 391	60 781	±2.59	242	consult	416	182.6	214.4	consult	591	336
700	71 235	142 470	±2.92	248	consult	471	211.1	246.1	consult	689	373
750	94 694	189 388	±3.17	275	consult	511	227.1	261.9	consult	743	413

For additional engineering and dimensional data contact Rexnord



REXNORD NV, Belgium

Dellingstraat 55

2800 Mechelen

Phone: +32 / 70 22 33 66

Fax: +32 / 70 22 33 67

E-mail: Customerservice.Belgium@rexnord.com

www.rexnord.eu

Contact